

ZEHNDERSOMMER.COM

Small Servo-Feed

ECO EV RE SE

Models: EV RE 040 SE | EV RE 080 SE | EV RE 160 SE



ACCURATE

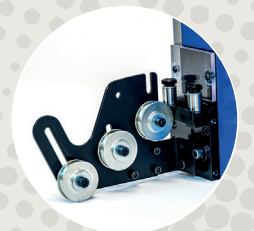
- Synchronous drive of both rolls via parallel-coupling
- Precision mechanics and high-tech materials for highest accuracy
- Gearless direct drive

VERSATILE

- One-sided construction (ideal for stamping-bending machines)
- Fast roll exchange via lateral plate (ideal as wire-feed)
- Optional roll surfaces, adjustable segment rolls, profiles
- Various servomotors with/without brake (e.g. Rockwell, Siemens)
- Powerful and versatile controls; double systems; push/pull
- Different levels of security: STO or safe limited speed (SLS)
- Threading assistance (material insertion without operating the control)
- Pull-out inlet plate for practical maintenance and roll cleaning
- Variable infeed: roller cage with double rolls, inlet plate, wire inlet

ECONOMICAL

- Inexpensive quality solution for small parts and wires

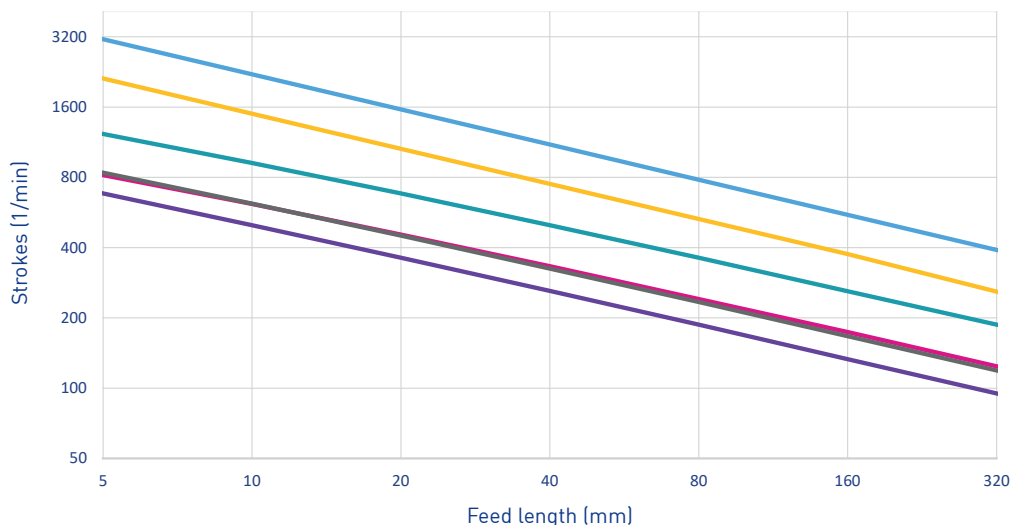


**ZEHNDER
SOMMER** | SWISS
PRECISION
FEEDING

ROLL FEED ECO EV RE SE



PERFORMANCE

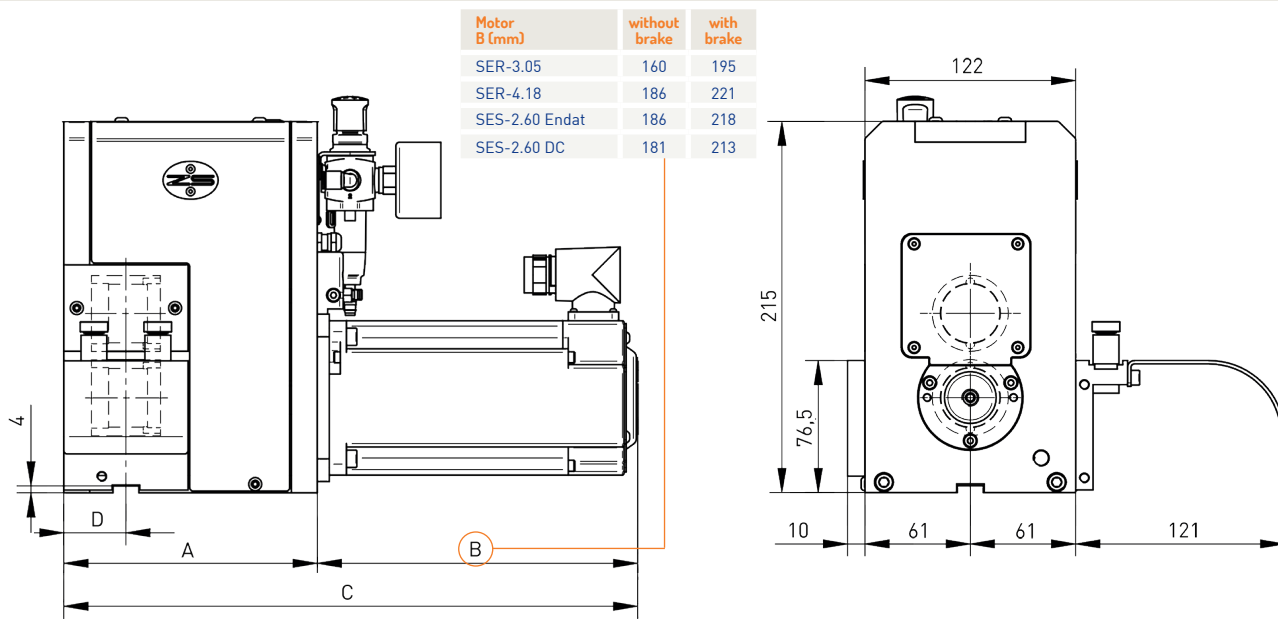


Performance curves
(Examples)*

Loop weight	Feed angle	Servo-Motor
0 kg	180°	SES
0 kg	180°	SER
2 kg	120°	SER
2 kg	180°	SER
5 kg	180°	SES
5 kg	180°	SER

*Calculation basis: EV RE 040 SE

TECHNICAL SPECIFICATIONS



MODEL	EV RE SE	040	080	160
Opening width (mm)		40	80	160
Support width A (mm)		147	187	267
Device width C min. (mm)		307	347	427
Device width C max. (mm)		368	408	488
Keyways distance D (mm)		36	56	96
Roll opening		4.5 mm		
Roll diameter		44 mm		
Positioning accuracy		+/- 0.03 mm		
Traction max.*		SES: 180 N / SER: 270 N		
Band-cross section (recomm.)		max. 100 mm ²		

*Depending on motor, control and supply.
Ask for a specific configuration and calculation.

SWITZERLAND

Zehnder & Sommer AG
CH-3400 Burgdorf
info@zehndersommer.com
Tel +41 31 800 00 00

GERMANY

Zehnder & Sommer GmbH
DE-58452 Witten
info@zehndersommer.de
Tel +49 2302 981 60 30

zehndersommer.com
ZSswiss.com